

6.2 Assembly And Installation Procedures

HURRICANE VENTILATOR COMPONENTS

The Standard Hurricane Ventilator consists of these components: Turbine, Varipitch and Base Flashing. Set out below are stepwise installation instructions.



Turbine



Varipitch

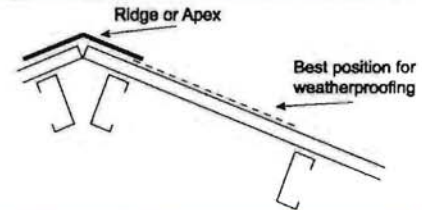


Base Flashing

Stepwise Installation Instructions

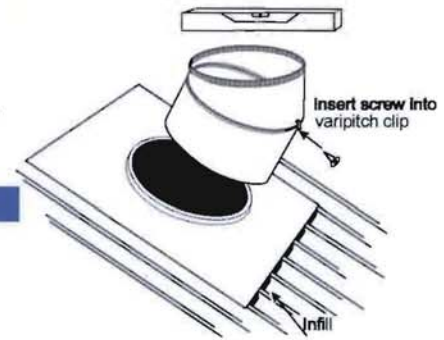
Step 1

Select the appropriate positions on the roof as referred to in (Fig 1): place the base flashing under the ridge capping. Note: When selecting the position of the vent, the means of weather proofing needs to be taken into account, the most efficient means is to locate the flashing under the ridge cap.



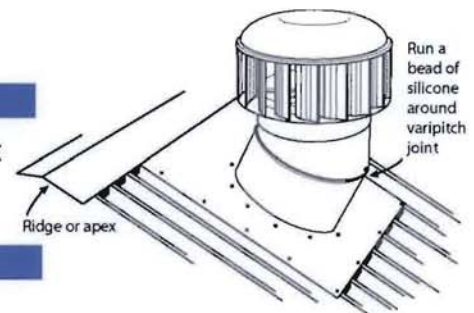
Step 2

Ensure that the base flashing covers the corrugations or ribs equally, then mark a circle using the base as a template. Cut hole. Once the hole has been cut, turn up the corrugations or pans and secure the flashing to the roof (for no. of fasteners see table 1). It is recommended that an infill be used on the low side of the flashing. Coat all fasteners with silicon to ensure weatherproof.



Step 3

When a varipitch base is being used. Sit the varipitch on the flashing and rotate the top and bottom halves until the top of the varipitch is horizontal, it is recommended that a level be used. Secure the two halves of the varipitch by inserting self tapping screws into the varipitch clips. Run a bead of silicon around the inside of the varipitch seam.



Step 4

Place the varipitch on the flashing and double check the level. Fix the varipitch to the flashing (for number of fasteners see table 1).

Step 5

Fit the turbine to the varipitch. Check that it is level and adjust by tilting if necessary. Fasten the turbine to the top of the varipitch (for number of fasteners see table 1).

Table 1 - Minimum number of fasteners

Unit Size (mm)	Head to Varipitch	Varipitch to Flashing	Flashing to Roof (Locate 4 close to varipitch)
300	4	4	10
400	4	4	12
450	5	5	12
500	5	5	12

Unit Size (mm)	Head to Varipitch	Varipitch to Flashing	Flashing to Roof (Locate 4 close to varipitch)
600	6	6	16
700	6	6	16
800	8	8	20
900	8	8	20

Either 10 gauge 16mm tek screws with neo or 4-3 blind rivets are recommended. When rivets are used apply silicone over the rivets to seal.