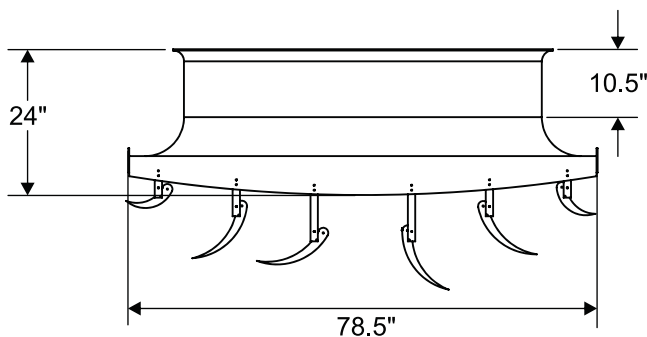
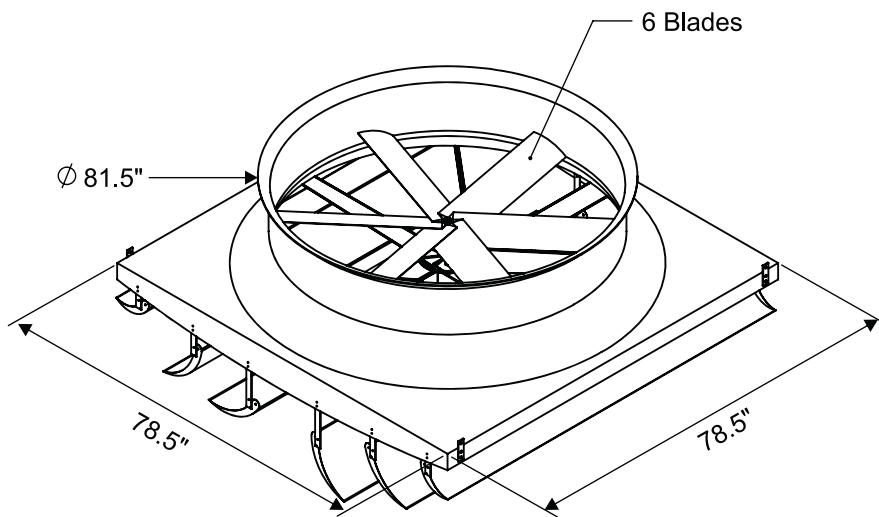


# 7ft Directional Fan



## Fan Measurements



# 7ft Directional Fan

## GENERAL

Size .....	72"
Blade .....	Precision Balanced Heavy Duty Corrosion Resistant Aluminum
Number of Blades .....	6
Motor Power.....	3 HP / 2.2 kW on High & 0.3 kW on Low
Weight .....	375 lbs

## PERFORMANCE (AT MAX SPEED)

Airflow .....	80,000 CFM
Fan Speed .....	322 RPM
Air Velocity .....	1200 FPM Under Fan
Maximum Cooling Area .....	5,250 ft <sup>2</sup>
Drive .....	Belt Driven
Watts Used.....	2200 W
Voltage .....	230 / 460 V
Motor Phase.....	3 Ph
Amperage.....	8.2 / 4.1 A

## MOUNTING OPTIONS

.....	Steel Post
.....	Building Column
.....	Suspended From Ceiling

## WARRANTY

Motor .....	3 Years
-------------	---------

## FEATURES

.....	Heavy Galvanized Motor Mount
.....	Corrosive Resistant Fibreglass Housing
.....	Heavy Duty Bearing & Pulley System
.....	Maintenance Free Motor
.....	Quick Change Belt
.....	Directional Air Flow Deflectors
.....	Ideal For "High Rack Aisles"
.....	Can Create An Air Curtain Effect Over Large Doors

**CONTROL OPTIONS (Not Included)**..... Variable Frequency Drive

\*These specifications are a guideline only and are subject to change without notice.

