



ARCHITECTURAL SOLUTIONS FOR OPEN SPACE POWER AND CONNECTIVITY

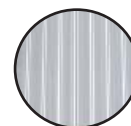
Connectrac In-Carpet Wireways offer discrete and elegant power and technology connectivity in open interior spaces of all kinds. They combine an extruded aluminum central wireway flanked by ultra-low sloping floor transition ramps, creating a subtle, powerful and beautiful cable pathway solution for virtually any need. Extremely durable and flexible, Connectrac In-Carpet Wireways comply with the ADA and offer a multitude of power options and telecom capabilities. Connectrac is the best alternative for open space connectivity when aesthetics, flexibility and value are important.

IN-CARPET WIREWAY FEATURES

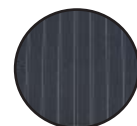
- Low-profile, durable extruded aluminum wireway
- Moisture-resistant MDF floor transition ramps
- Provides a cable pathway with no core drilling or trenching
- Multitude of power and telecom/AV options
- Pre-wired power components speed installation
- Removable wireway top cap makes changing cables simple
- ADA compliant
- Multiple finishes available



ES

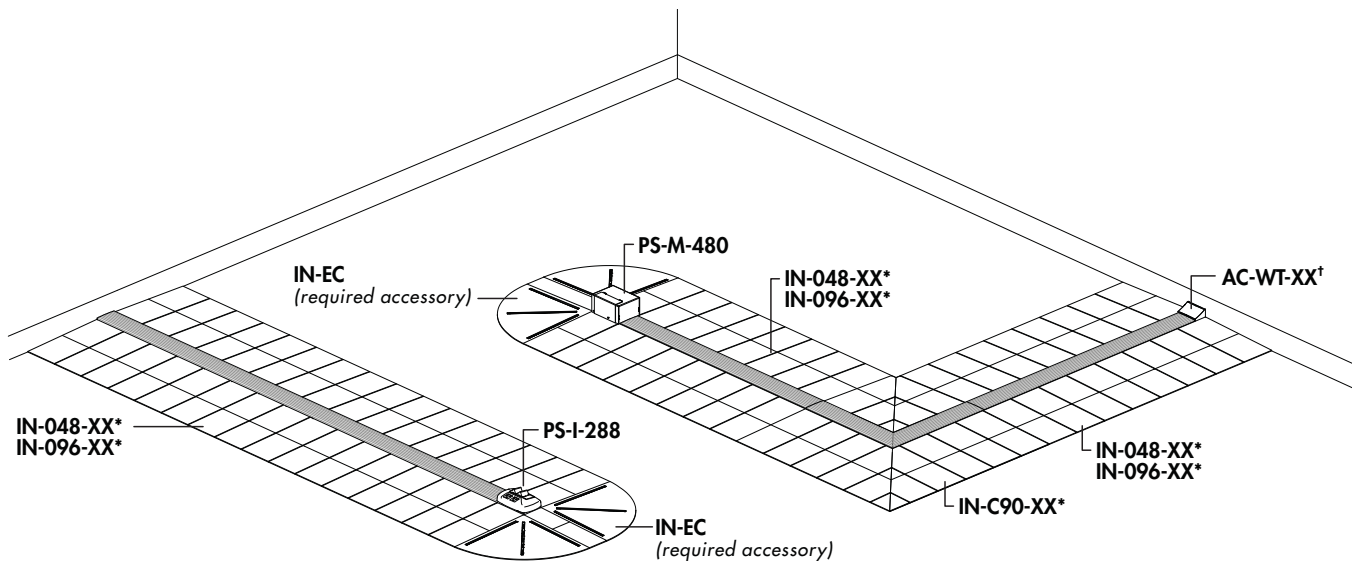


AL



GR

IN-CARPET WIREWAY COMPONENTS



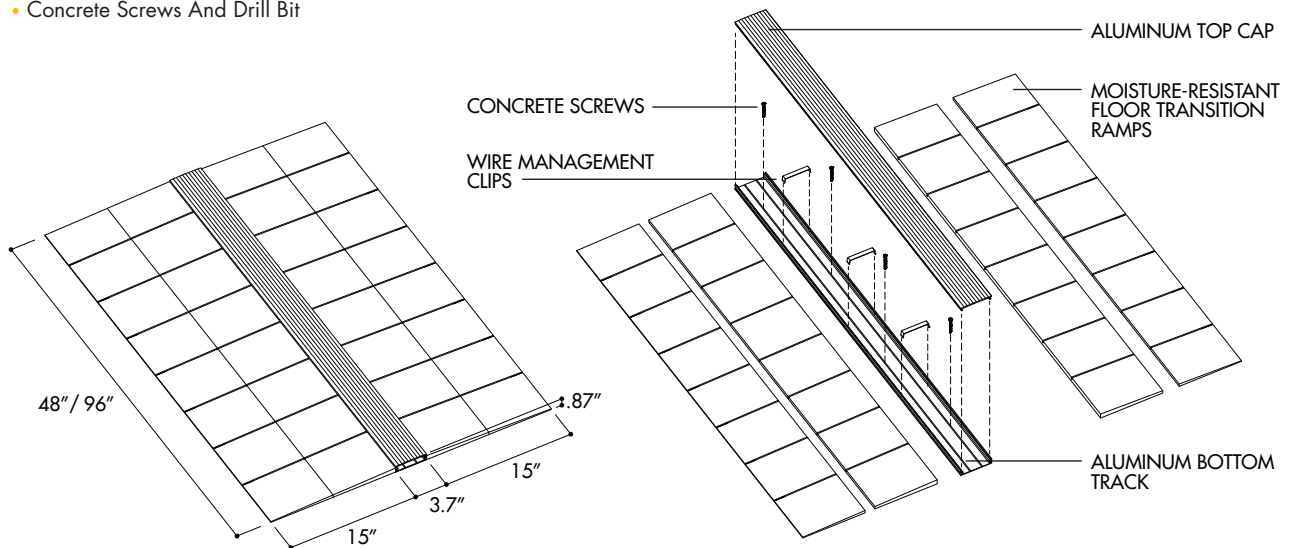
BASE SYSTEM COMPONENTS

WIREWAY SEGMENTS AVAILABLE IN:

- 48" and 96" lengths - field-cut to required length and combined as necessary
- Top cap available in 3 finishes: Clear Anodized Aluminum (AL), Graphite (GR), Espresso (ES)

EACH SEGMENT INCLUDES:

- Extruded Aluminum Wireway Base Track And Top Cap
- Moisture-Resistant MDF Floor Transition Ramps
- Wire Management Clips
- Concrete Screws And Drill Bit



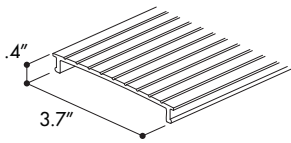
PART NUMBER	DESCRIPTION
IN-048-XX*	48" Segment: 48" Wireway And Transition Ramps
IN-096-XX*	96" Segment: 96" Wireway And Transition Ramps

*Top Cap Finishes: Replace "XX" With "AL" (Clear Anodized Aluminum), "GR" (Graphite powder coat), or "ES" (Espresso powder coat)

† Accessory Finishes: Replace "XX" With "BK" (Black) or "SV" (Silver)

WIREWAY COMPONENTS AND ACCESSORIES

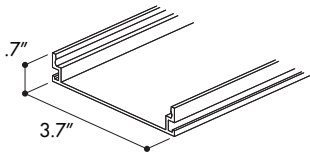
BASE SYSTEM COMPONENTS:



WIREWAY BOTTOM TRACK AND TOP CAP

- Bottom track anchors to slab
- Top cap snaps into bottom track
- Extruded aluminum
- Available lengths: 48" / 96"

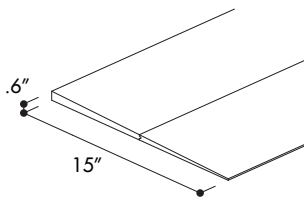
INCLUDED IN EACH WIREWAY SEGMENT



SIDE TRANSITION RAMPS

- Adheres to slab with construction adhesive
- Moisture-resistant MDF
- Available lengths: 48" / 96"

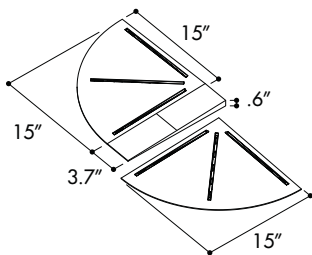
INCLUDED IN EACH WIREWAY SEGMENT



REQUIRED ACCESSORY:

END TRANSITION RAMPS

- Moisture-resistant MDF and molded ABS plastic
- PN: IN-EC

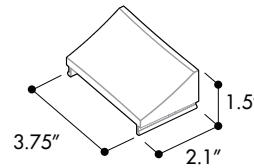


OPTIONAL ACCESSORIES:

TRANSITION ADAPTER

- Used to transition cabling at beginning or end of wireway
- Snaps into wireway bottom track

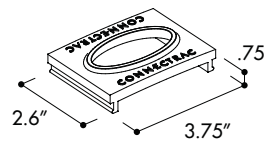
PN: AC-WT-BK (BLACK)
PN: AC-WT-SV (SILVER)



GROMMET

- Allows cabling to enter / exit wireway
- Snaps into wireway bottom track

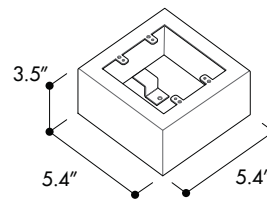
PN: AC-GR-BK (BLACK)
PN: AC-GR-SV (SILVER)



COMMUNICATION BOX

- Steel low-voltage enclosure
- Accepts any standard double-gang faceplate
- 3" available depth
- Same profile as AV Duplex (page 5)

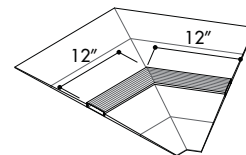
PN: IN-COM



45° CORNER KIT*

- Pre-cut wireway components
- Adds 24" to existing system

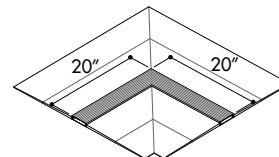
PN: IN-C45-XX*



90° CORNER KIT*

- Pre-cut wireway components
- Adds 40" to existing system

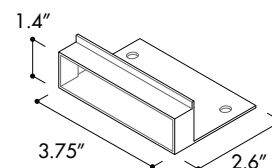
PN: IN-C90-XX*



ROUGH-IN BOX

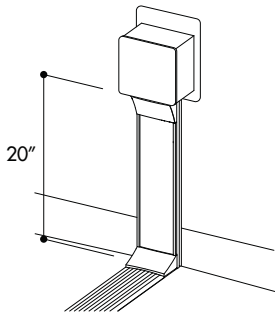
- Optional component used in new wall construction to transition cabling from wall cavity into wireway

PN: AC-RIB-1



*Top Cap Finishes: Replace "XX" With "AL" (Clear Anodized Aluminum), "GR" (Graphite powder coat), or "ES" (Espresso powder coat)

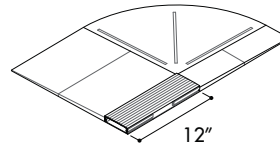
WIREWAY ACCESSORIES



20" WALL CHANNEL

- Vertical wireway, surface-mounts to wall to provide path from Connectrac system at floor to surface-mounted junction box
- 20" long, can be trimmed to fit
- Includes 4"x4"x2.125" double-gang steel junction box, with silver powder coat
- Functions as extender ring for standard single gang outlet box
- Includes (2) AC-WT-SV and (1) AC-GR-SV

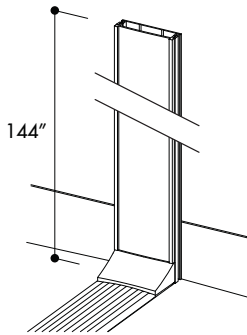
PN: AC-WC-020-AL



SIDE ENTRY KIT*

- Allows cabling to enter side of wireway instead of end
- Adds 12" to existing system

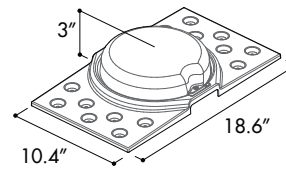
PN: IN-SE-1-XX*



144" WALL CHANNEL

- Vertical wireway, surface-mounts to wall to provide path from Connectrac system at floor to ceiling above
- 12' / 144" Length
- Includes (1) AC-WT-SV accessory

PN: AC-WC-144-AL



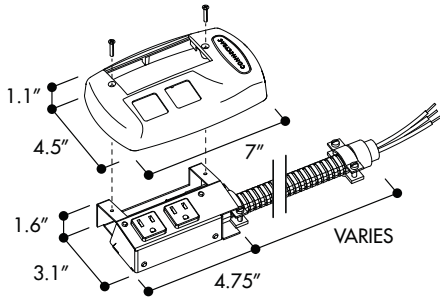
DOMES COVER KIT

- Used to transition cabling to Connectrac system from poke-through device
- Integrates with standard side transition ramps

PN: IN-DM

*Top Cap Finishes: Replace "XX" With "AL" (Clear Anodized Aluminum), "GR" (Graphite powder coat), or "ES" (Espresso powder coat)

SINGLE DEVICE POWER OPTIONS

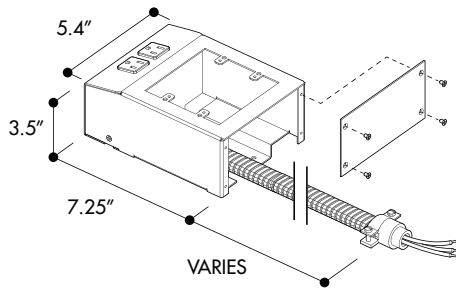


DUPLEX (I SERIES)

INCLUDES:

- Single 3-wire, 1-circuit NEMA 5-20R duplex receptacle
- Attached pre-wired galvanized steel flex conduit; 3-wire / 1-circuit with 1/2" knockout fitting (length options below)
- Black ABS plastic cover w/2 mounting screws
- Modular data opening (see page 7)

PART NUMBER	DESCRIPTION
PS-I-144	20Amp duplex receptacle; 144" Infeed
PS-I-288	20Amp duplex receptacle; 288" Infeed
PS-I-480	20Amp duplex receptacle; 480" Infeed

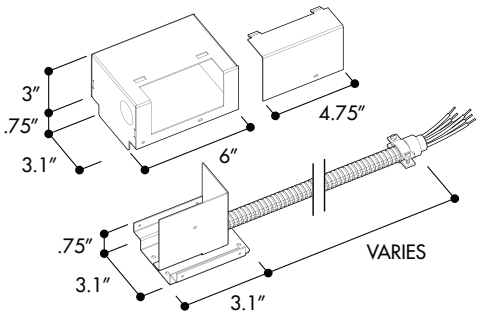


AV DUPLEX

INCLUDES:

- Steel enclosure with access cover
- Single 3-wire, 1-circuit NEMA 5-20R duplex receptacle
- Attached pre-wired galvanized steel flex conduit; 3-wire / 1-circuit with 1/2" knockout fitting (length options below)
- Standard double gang telecom opening; 3" depth for installing AV plates/devices

PART NUMBER	DESCRIPTION
PS-A-IN-144	20Amp duplex receptacle; 144" Infeed
PS-A-IN-288	20Amp duplex receptacle; 288" Infeed
PS-A-IN-480	20Amp duplex receptacle; 480" Infeed



4-CIRCUIT MONUMENT (M SERIES)

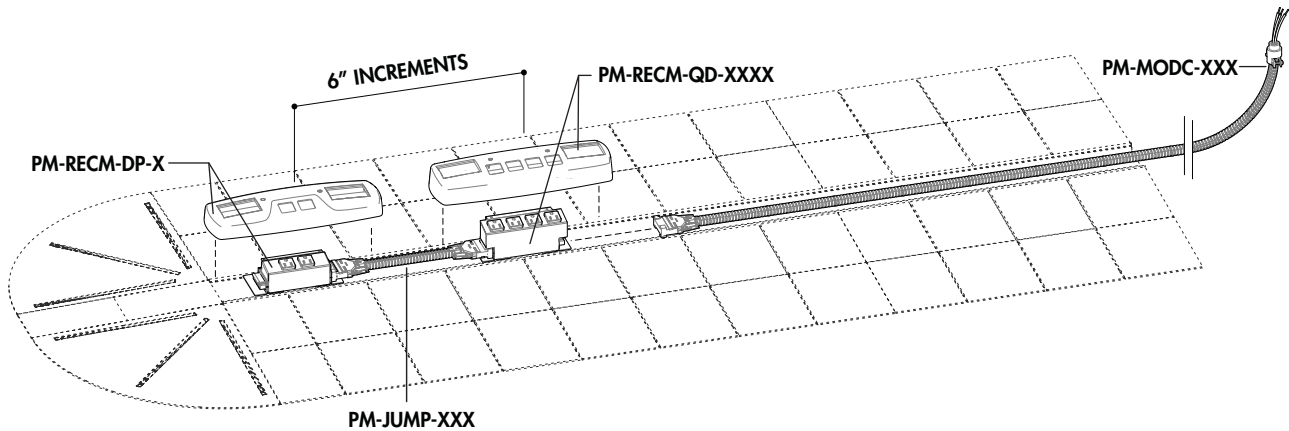
INCLUDES:

- Single 36.5 cubic inch steel electrical housing for hardwire connection, black powder coat
- Attached pre-wired galvanized steel flex conduit; 8-wire / 4-circuit with 1/2" knockout fitting (length options below)
- Pass-thru opening for telecom cabling
- Refer to page 9 for wiring diagram options

PART NUMBER	DESCRIPTION
PS-M-288	8-wire, 4-circuit box for furniture hardwire; 288" infeed
PS-M-480	8-wire, 4-circuit box for furniture hardwire; 480" infeed

NOTE: SEE MORE POWER OPTIONS ON NEXT PAGE

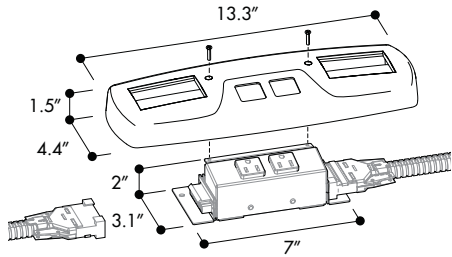
MODULAR POWER OPTIONS (U SERIES)



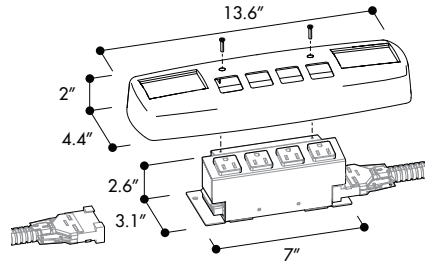
MODULAR POWER SYSTEMS

- 20Amp NEMA 5-20R duplex or quad receptacles; includes black ABS plastic cover, mounting screws, and two modular data openings (refer to page 8).
- Modular connections: multiple receptacle units can be connected using modular jumper and power infeed cables
- Receptacle devices are keyed to individual circuits.

PM-RECM-DP-X:



PM-RECM-QD-XXXX:



PART NUMBER

DESCRIPTION

PM-MODC-144	8-Wire Modular Power Infeed, 144" Length
PM-MODC-288	8-Wire Modular Power Infeed, 288" Length
PM-MODC-480	8-Wire Modular Power Infeed, 480" Length
PM-RECM-DP-1	Duplex Receptacle; Both Outlets Ckt 1
PM-RECM-DP-2	Duplex Receptacle; Both Outlets Ckt 2
PM-RECM-DP-3	Duplex Receptacle; Both Outlets Ckt 3
PM-RECM-DP-4	Duplex Receptacle; Both Outlets Ckt 4
PM-RECM-QD-1111	Quad Receptacle; Four Outlets Ckt 1
PM-RECM-QD-2222	Quad Receptacle; Four Outlets Ckt 2
PM-RECM-QD-3333	Quad Receptacle; Four Outlets Ckt 3
PM-RECM-QD-4444	Quad Receptacle; Four Outlets Ckt 4
PM-RECM-QD-1122	Quad Receptacle; Two Outlets Ckt 1, Two Outlets Ckt 2
PM-RECM-QD-3344	Quad Receptacle; Two Outlets Ckt 3, Two Outlets Ckt 4
PM-JUMP-024	Modular Jumper Cable for 24" On-Center Devices
PM-JUMP-030	Modular Jumper Cable for 30" On-Center Devices
PM-JUMP-036	Modular Jumper Cable for 36" On-Center Devices
PM-JUMP-042	Modular Jumper Cable for 42" On-Center Devices
PM-JUMP-048	Modular Jumper Cable for 48" On-Center Devices
PM-JUMP-054	Modular Jumper Cable for 54" On-Center Devices
PM-JUMP-060	Modular Jumper Cable for 60" On-Center Devices
PM-JUMP-066	Modular Jumper Cable for 66" On-Center Devices
PM-JUMP-072	Modular Jumper Cable for 72" On-Center Devices
PM-JUMP-084	Modular Jumper Cable for 84" On-Center Devices
PM-JUMP-096	Modular Jumper Cable for 96" On-Center Devices

TELECOM-SINGLE DUPLEX

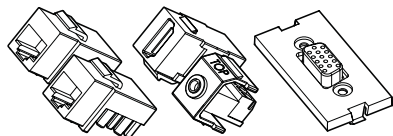
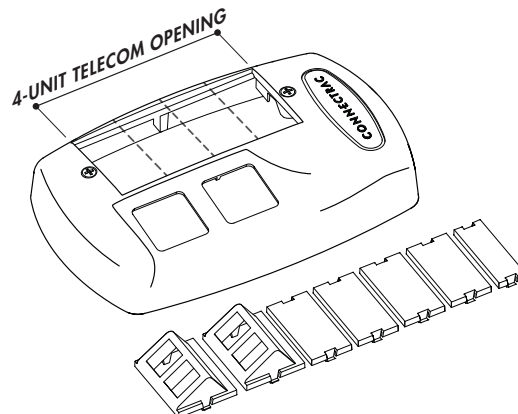
STANDARD TELECOM KIT

The single duplex device incorporates a four-unit modular telecom opening. Each device comes with two angled TC-UM03-BK modules from Hubbell that accommodate up to four keystone-sized connectors. These modules also accommodate keystone-sized connectors from a variety of other manufacturers.

INCLUDED MODULES:

- (2) **TC-UM03-BK** 1.5 unit 1-port angled modules
- (1) **TC-BM01-BK** .5 unit blank module
- (4) **TC-BM02-BK** 1.0 unit blank module

These modules are included with each single duplex

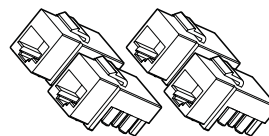


OPTIONAL AUDIO/VISUAL KIT

INCLUDES:

- (2) **TC-KS01-BK** Cat6 data jacks
- (1) **TC-KS08-BK** HDMI keystone pass-thru
- (1) **TC-OC03-BK** VGA gender changer
 - Includes **TC-UM02-BK** unloaded module
 - Includes 18" slimline VGA patch cable
- (1) **TC-KS10-BK** 3.5mm audio screw termination jack

PN: TKIT-AV1



OPTIONAL VOICE/DATA KIT

INCLUDES:

- (4) **TC-KS01-BK** Cat6 voice/data jacks

PN: TKIT-VD1

NOTE: Both optional telecom kits utilize the (2) TC-UM03-BK modules included with each receptacle cover

UNLOADED MODULES

PART NUMBER	DESCRIPTION
TC-UM01-BK	1.5 Unit Angled For VGA (TC-OC03)
TC-UM03-BK	1.5 Unit Angled For (2) Keystone Connectors
TC-UM05-BK	1.0 Unit Flat For (1) Keystone

KEYSTONE CONNECTORS

PART NUMBER	DESCRIPTION
TC-KS01-BK	CAT 6 Snap Fit Jack
TC-KS06-BL	USB Snap Fit Pass-Thru F/F Coupler, USB 2.0 A to A
TC-KS08-BK	HDMI Snap Fit Pass-Thru F/F Coupler
TC-KS09-BK	F-Connector Snap Fit Pass-Thru F/F Coupler
TC-KS10-BK	3.5MM Audio Snap Fit, Screw Termination

OTHER CONNECTORS

PART NUMBER	DESCRIPTION
TC-OC03	VGA Gender Changer, 15-PIN F/F

TELECOM-MODULAR POWER

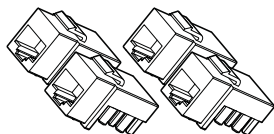
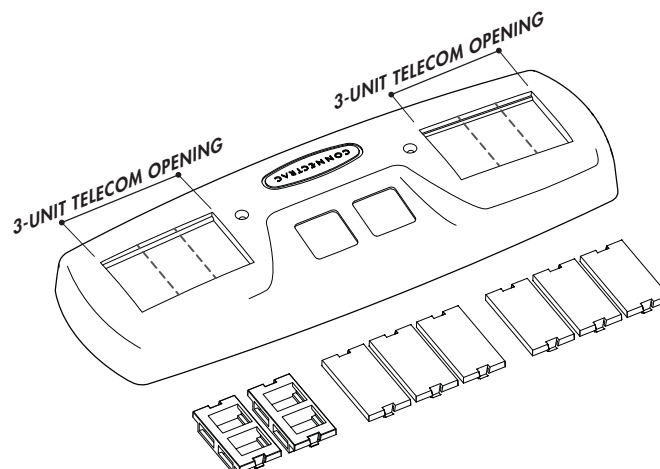
STANDARD TELECOM KIT

Modular receptacle devices (duplex and quad) each incorporate 2 three-unit modular telecom openings. Each device comes with two TC-UM04-BK modules from Hubbell that accommodate up to four keystone-sized connectors. These modules also accommodate keystone-sized connectors from a variety of other manufacturers.

INCLUDED MODULES:

- (2) TC-UM04-BK 1.0 unit 2-port flat modules
- (6) TC-BM02-BK 1.0 unit blank module

These modules are included with each duplex and quad modular receptacle



OPTIONAL VOICE/DATA KIT

INCLUDES:

- (4) TC-KS01-BK Cat6 voice/data jacks

PN: TKIT-VD1

NOTE: *The optional telecom kit utilizes the (2) TC-UM04-BK modules included with each receptacle cover*

UNLOADED MODULES

PART NUMBER	DESCRIPTION
TC-UM01-BK	1.5 Unit Angled For VGA
TC-UM03-BK	1.5 Unit Angled For (2) Keystone Connectors
TC-UM04-BK	1.0 Unit Flat For (2) Keystone Connectors
TC-UM05-BK	1.0 Unit Flat For (1) Keystone Connector

KEYSTONE CONNECTORS

PART NUMBER	DESCRIPTION
TC-KS01-BK	CAT 6 Snap Fit Jack
TC-KS06-BL	USB Snap Fit Pass-Thru F/F Coupler, USB 2.0 A to A
TC-KS08-BK	HDMI Snap Fit Pass-Thru F/F Coupler
TC-KS09-BK	F-Connector Snap Fit Pass-Thru F/F Coupler
TC-KS10-BK	3.5MM Audio Snap Fit, Screw Termination

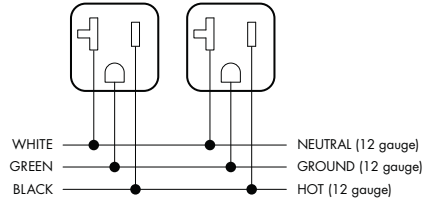
OTHER CONNECTORS

PART NUMBER	DESCRIPTION
TC-OC03	VGA Gender Changer, 15-PIN F/F

WIRING DIAGRAMS

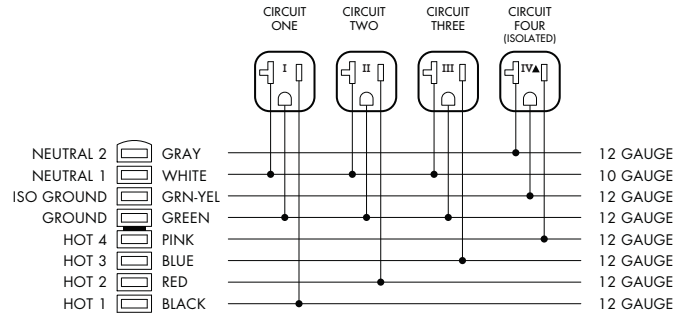
SINGLE DUPLEX RECEPTACLE SYSTEMS

PS-1-XXX, PS-A-IN-XXX



MODULAR RECEPTACLE SYSTEMS

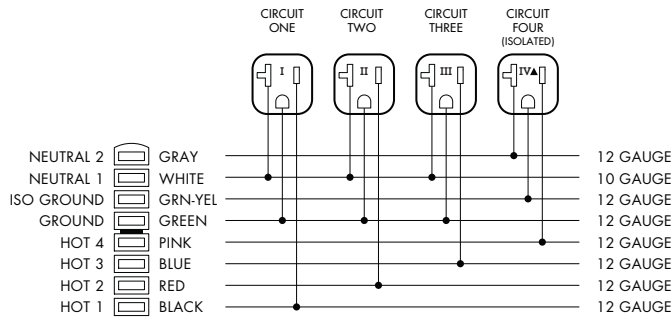
PM-RECM-DP-X, PM-RECM-QD-XXXX



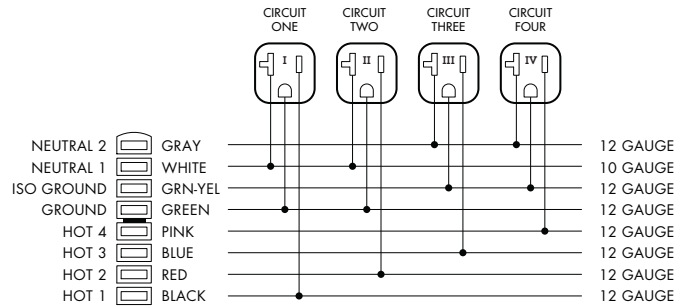
4-CIRCUIT CONNECTION MONUMENT

PM-M-XXX

3+1 WIRING OPTION:



2+2 WIRING OPTION:



NOTE: The 4-circuit connection monument can utilize either of the above wiring schemes

CABLE FILL CAPACITY



Voice / Data / AV cabling can be placed alongside power in the wireway channel. Shielding for the low voltage cabling is provided by Connectrac's special steel flex conduit.

STANDARD FILL CAPACITIES:	Cat 5e	Cat 6	Cat 6a
Cable OD (varies by manufacturer)	.21"	.25"	.354"
Cable cross sectional area	.035"	.035"	.035"
Max cables in wireway with power conduit	25	18	*

* The number of Cat 6A cables must be determined by the communications system designer due to the special installation requirements of Cat 6A cables.